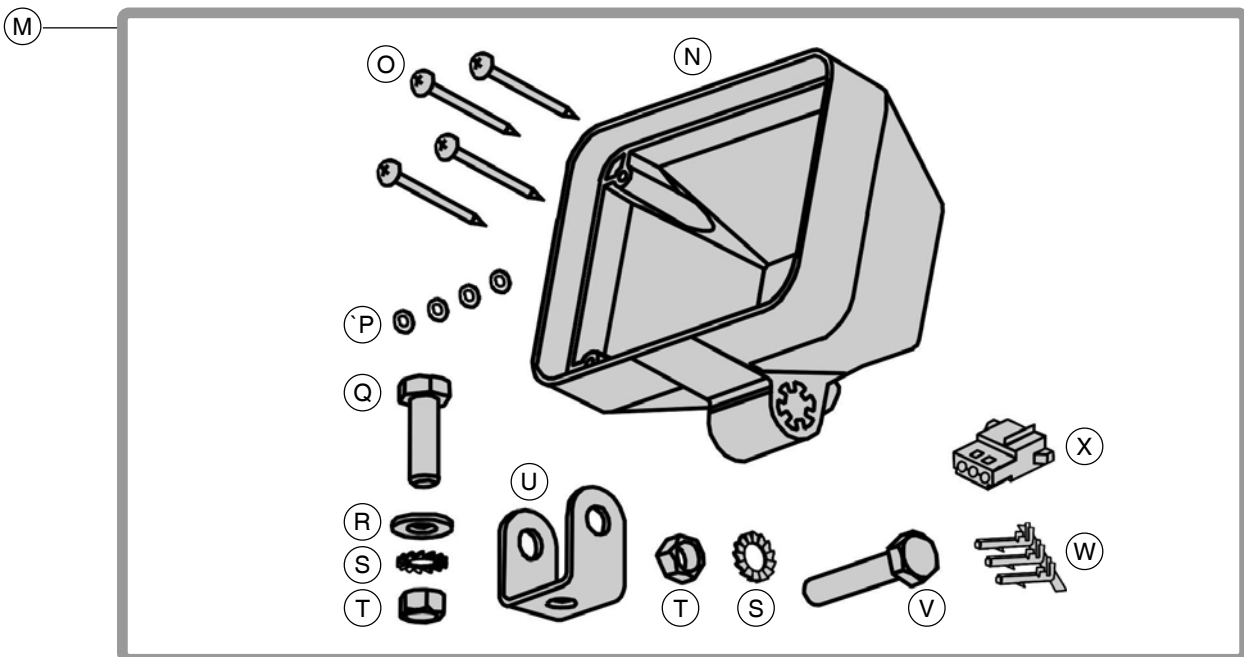
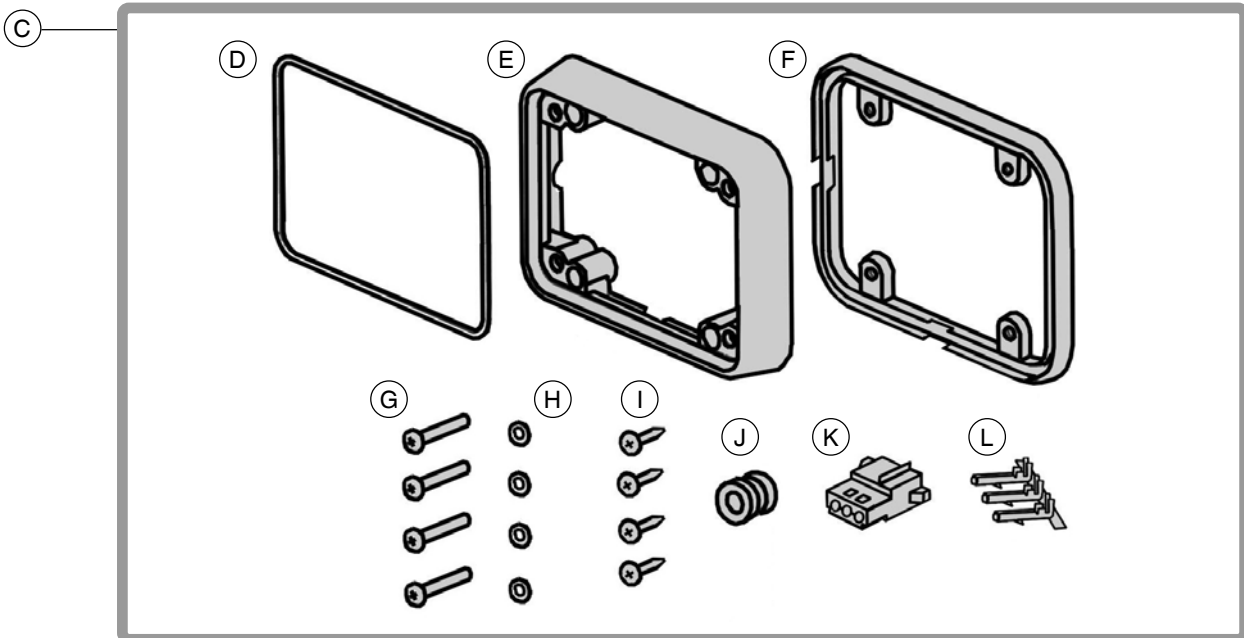
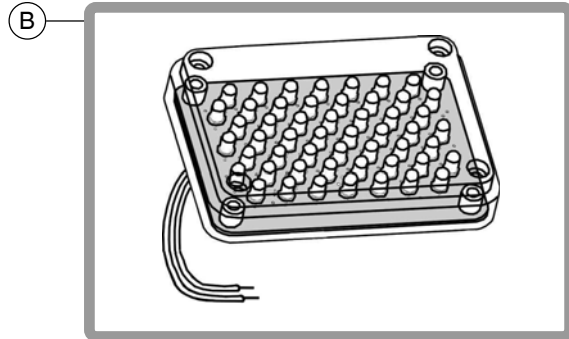
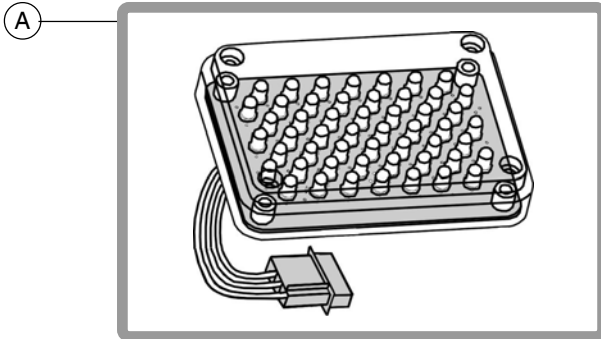


# LD116

## FOCO COMPACTO DE LEDS COMPACT LED LIGHT HEAD



Item N.	Descripción / Description	Ref.	Cant. / Qty.
A	LD116, luz azul, flasher incorporado, lente lisa, color cristal, 12V <i>LD116, blue light, flasher incorporated, smooth lens, clear colour, 12V</i>	2010251	1
	LD116, luz azul, flasher incorporado, lente lisa, color azul, 12V <i>LD116, blue light, flasher incorporated, smooth lens, blue colour, 12V</i>	2010252	1
	LD116, luz ámbar, flasher incorporado, lente lisa, color ámbar, 12V <i>LD116, amber light, flasher incorporated, smooth lens, amber colour, 12V</i>	2010258	1
	LD116, luz ámbar, flasher incorporado, lente lisa, color cristal, 12V <i>LD116, amber light, flasher incorporated, smooth lens, clear colour, 12V</i>	2010257	1
	LD116, luz roja, flasher incorporado, lente lisa, color rojo, 12V <i>LD116, red light, flasher incorporated, smooth lens, red colour, 12V</i>	2010256	1
	LD116, luz roja, flasher incorporado, lente lisa, color cristal, 12V <i>LD116, red light, flasher incorporated, smooth lens, clear colour, 12V</i>	2010259	1
	LD116, luz azul, flasher incorporado, lente lisa, color azul, 24V <i>LD116, blue light, flasher incorporated, smooth lens, blue colour, 24V</i>	2010269	1
	LD116, luz ámbar, flasher incorporado, lente lisa, color ámbar, 24V <i>LD116, amber light, flasher incorporated, smooth lens, amber colour, 24V</i>	2010271	1
	LD116, luz roja, flasher incorporado, lente lisa, color rojo, 24V <i>LD116, red light, flasher incorporated, smooth lens, red colour, 24V</i>	2010270	1
B	LD116F, luz azul, sin flasher, lente lisa, color azul, 24V <i>LD116F, blue light, without flasher, smooth lens, blue colour, 24V</i>	2010293	1
	LD116F, luz ámbar, sin flasher, lente lisa, color ámbar, 24V <i>LD116F, amber light, without flasher, smooth lens, amber colour, 24V</i>	2010292	1
	LD116F, luz roja, sin flasher, lente lisa, color rojo, 24V <i>LD116F, red light, without flasher, smooth lens, red colour, 24V</i>	2010294	1
C	LD116-SB, kit montaje en superficie, color negro / <i>LD116-SB, surface mount kit, black colour</i>	2010263	1
	LD116-SC, kit montaje superficie, color cromado / <i>LD116-SC, surface mount kit, chrome colour</i>	2010262	1
D	Junta base foco intermedia 80x110 / <i>80x110 intermediate head base joint</i>	9151144	1
E	Base foco color negro 80x110 / <i>80x110 Black head base</i>	9133693REC	1
	Base foco color cromado 80x110 / <i>80x110 chrome head base</i>	9151183REC	1
F	Junta base foco 80x110 / 80x110 Head base joint	9133694	1
G	Tornillo M04x25 DIN 7985 inoxidable / <i>stainless DIN 7985 M04x25 screw</i>	9027568	4
H	Arandela EPDM 4x8x1 / <i>4x8x1 EPDM washer</i>	9141006	4
I	Tornillo rosca chapa 3,9x16 DIN 7981 inoxidable / <i>stainless DIN 7981 3,9x16 self-taping screw</i>	9027167	4
J	Pasacables goma Diámetro 10 ref. 201 / Ref. 201 diameter 10 rubber grommet	9015061	1
K	Caja 3 Vías portahembras ref. 1-480303-2 / Ref. 1-480303-2 female carrier 3 Ways box	9018653	1
L	Terminal MTLOCK AMP 163302-6 / <i>AMP 163302-6 MTLOCK terminal</i>	9018304	3
M	LD116-SWB, kit montaje con pie orientable, color negro / <i>LD116-SWB, swivel mount kit, black colour</i>	2010264	1
	LD116-SWC, kit montaje con pie orientable, color cromado / <i>LD116-SWC, swivel mount kit, chrome colour</i>	2010261	1
N	Carcasa foco color negro 80x110 / <i>80x110 black head housing</i>	9133703	1
	Carcasa foco color cromado 80x110 / <i>80x110 chrome head housing</i>	9133703-01	1
O	Tornillo 4x35 DIN 7505-B / <i>DIN 7505-B 4x35 screw</i>	9027636	4
P	Arandela EPDM 4x8x1 / <i>4x8x1 EPDM washer</i>	9141006	4
Q	Tornillo M08x25 DIN 933 hexagonal inoxidable / <i>stainless hexagonal DIN 933 M08x25 screw</i>	9027599	1
R	Arandela M08 DIN 125 / <i>DIN 125 M08 washer</i>	9027118	1
S	Arandela M08 DIN 6798 estriada inoxidable / <i>stainless grooved DIN 6798 M08 washer</i>	9027639	2
T	Tuerca M08 DIN 934 inoxidable / <i>stainless DIN 934 M08 nut</i>	9027176	2
U	Pie foco rectangular / <i>rectangular head bracket</i>	8132990	1
V	Tornillo M08x40 DIN 933 hexagonal inoxidable / <i>stainless hexagonal DIN 933 M08x40 screw</i>	9027638	1
W	Terminal MTLOCK AMP 163302-6 / <i>AMP 163302-6 MTLOCK terminal</i>	9018304	3
X	Caja 3 Vías portahembras ref. 1-480303-2 / Ref. 1-480303-2 female carrier 3 Ways box	9018653	1



Empresa certificada ISO / ISO certified Company

## FEDERAL SIGNAL VAMA, S.A

Dr. Ferrán, 7 (08339) VILASSAR DE DALT,  
BARCELONA, SPAIN  
Tel. (00) 93 741 79 42 (Spain)  
Tel. (34) 93 741 79 41 (Int.)  
Fax (34) 93 753 03 62  
email: service@vama.es

Web : [www.fedsig.vama.es](http://www.fedsig.vama.es)

## Delegación - Madrid

Avda. Baviera, 13  
(28028) MADRID  
Tel. (34) 91 355 22 00  
Fax (34) 91 355 35 61  
email: servicemad@vama.es