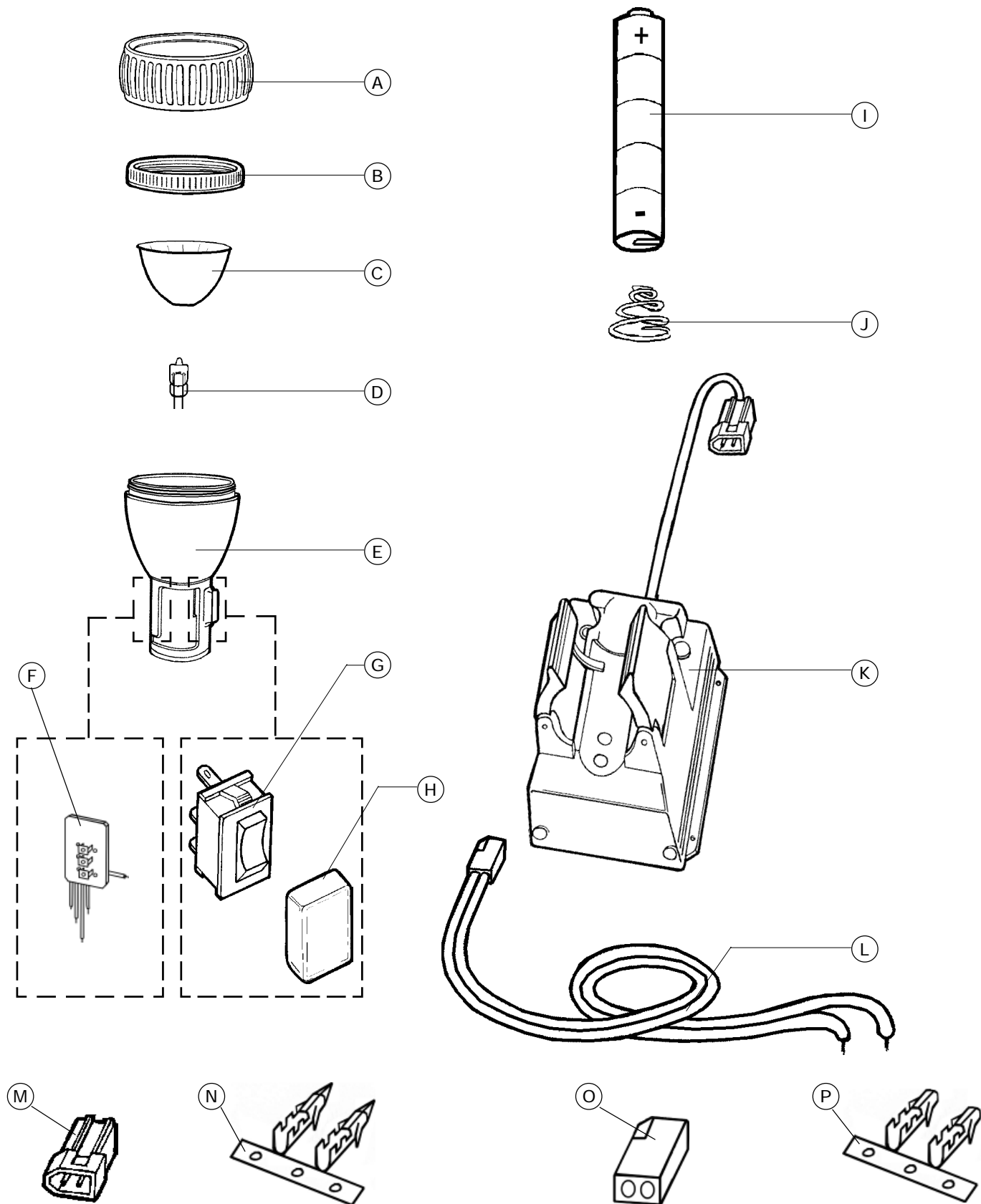


# L500

## LINTERNA PROFESIONAL RECARGABLE RECHARGEABLE FLASHLIGHT



**LINTERNA PROFESIONAL RECARGABLE**  
**RECHARGEABLE FLASHLIGHT**

| Item N. | Descripción / Description  | Ref.          | Cant. / Qty. |
|---------|--|---------------|--------------|
| A       | PG-500 Protector cabezal L-500<br><i>L-500 Head protector PG-500</i>                 | 9151259       | 1            |
|         | PG-500 Protector cabezal L-500 ME<br><i>L-500 Head protector PG-500 ME</i>           | 9151259-01    | 1            |
| B       | Conjunto tapa L-500<br><i>L-500 Cover assembly</i>                                   | 8233378       | 1            |
| C       | Óptica parábola L-500<br><i>L-500 Parabola optic</i>                                 | 9151373       | 1            |
| D       | Lámpara halógena 6V 10W G4 D-9<br><i>D-9 G4 10W 6V Halogen lamp</i>                  | 9012028       | 1            |
| E       | Kit cabezal L-500<br><i>L-500 Head kit</i>   | 8299181REC    | 1            |
|         | Kit cabezal L-500 GC<br><i>L-500 Head kit GC</i>                                     | 8299181REC-GC | 1            |
|         | Kit cabezal L-500 ME<br><i>L-500 Head kit ME</i>                                     | 8299181REC-ME | 1            |
|         | Kit cabezal L-500 PN<br><i>L-500 Head kit PN</i>                                     | 8299181REC-PN | 1            |
| F       | Circuito L500 / L500R<br><i>L500R / L500 circuit</i>                                 | 8235517       | 1            |
| G       | Interruptor 104 B2 caja y tecla negra<br><i>Black key &amp; box B2 104 switch</i>    | 9014061       | 1            |
| H       | Funda interruptor L-500/L-500I negra<br><i>Black L-500/L-500I switch cover</i>       | 9151227       | 1            |
|         | Funda interruptor L-500/L-500I GC verde<br><i>L-500/L-500I switch cover GC Green</i> | 9151227-02    | 1            |
| I       | Batería Ni-Mh 6V 3,5AH 5E 1/2DSIZ<br><i>1/2DSIZ 5E 3.5AH 6V Ni-Mh Battery</i>        | 9025041       | 1            |
| J       | Muelle contacto batería L500<br><i>L500 Battery contact spring</i>                   | 9130058       | 1            |
| K       | CL510 cargador linterna<br><i>Flashlight charger CL510</i>                           | 2101094       | 1            |
|         | CL510 cargador linterna GC<br><i>Flashlight charger CL510 GC</i>                     | 2101094 GC    | 1            |
| L       | Alargo cargador linterna<br><i>Flashlight charger extension</i>                      | 8244127       | 1            |
| M       | Caja Molex 2 vías<br><i>2 Ways Molex box</i>   | 9018208       | 1            |
| N       | Terminal Molex macho<br><i>Male Molex terminal</i>                                   | 9018210       | 2            |
| O       | Conector Molex 2 vías<br><i>2 Ways Molex connector</i>                               | 9018207       | 1            |
| P       | Terminal Molex hembra<br><i>Female Molex terminal</i>                                | 9018209       | 2            |



Empresa certificada ISO / ISO certified Company

**FEDERAL SIGNAL VAMA, S.A**

Dr. Ferrán, 7 (08339) VILASSAR DE DALT,  
BARCELONA, SPAIN  
Tel. (00) 93 741 79 49 (Spain)  
Tel. (34) 93 741 79 41 (Int.)  
Fax (34) 93 753 03 62  
email: service@vama.es

Web : [www.fedsig.vama.es](http://www.fedsig.vama.es)

**Delegación - Madrid**

Avda. Baviera, 13  
(28028) MADRID  
Tel. (34) 91 355 22 00  
Fax (34) 91 355 35 61  
email: servicemad@vama.es